

FIRE EXTINGUISHER CABINET



GENERAL

“AE” range of surface wall mounted fire extinguisher cabinets are generally fabricated from electro-galvanised steel material. Aluminium or stainless steel materials are available upon request.

The door hinges are either riveted or welded to the cabinet and swings out 180 degree from left to right. The cabinet comes with viewing panel design at the door to show the equipment installed inside.

The quality of workmanship and finishes are carefully planned and executed from the initial stage of preparing the material, fabrication, upto the surface preparation and powder coating.

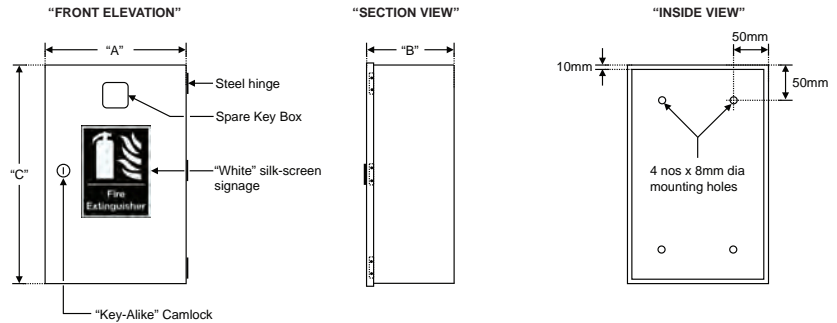
The standard finishes of the electro-galvanised steel and aluminium cabinets are “Red” epoxy/polyester powder coated and oven baked. Type 304 or 316 stainless steel material with 4B, non-directional, etc., finishes are available upon request.

FEATURES

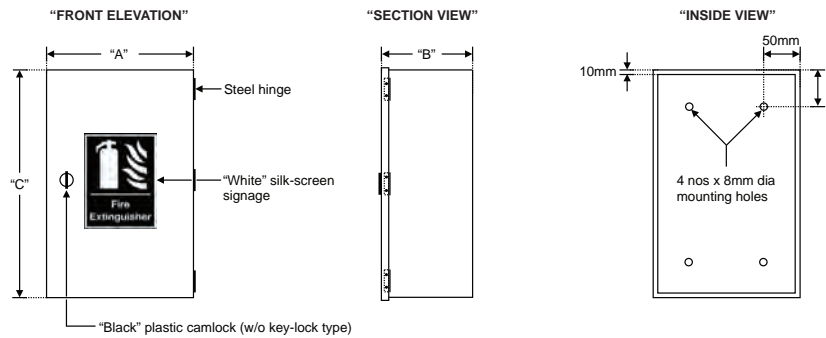
- Compact and elegant design.
- Quality finishes in epoxy/polyester powder coated and oven baked.
- Easy and fast installation with minimum labour required.

FIRE EXTINGUISHER CABINET

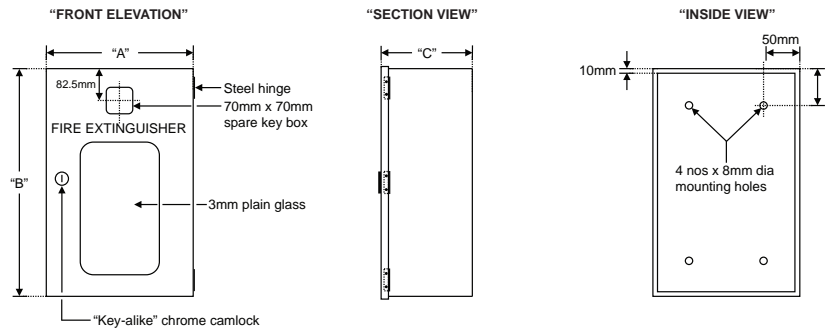
Key-alike lockable cabinet without glass viewing panel



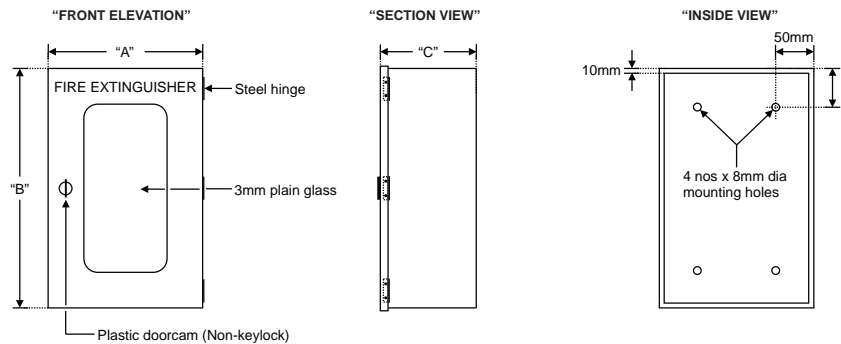
Without key-lock & glass viewing panel



Key-alike lockable cabinet with glass viewing panel



Without key-lock cabinet but with glass viewing panel



Type & Capacity Of Fire Extinguisher	Dimensions			Materials Thickness
	"A"	"B"	"C"	
1.0Kg ABC Dry Chemical	225mm	500mm	150mm	1.0mm
2.0Kg ABC Dry Chemical	225mm	500mm	150mm	1.0mm
3.0Kg ABC Dry Chemical	225mm	500mm	150mm	1.0mm
4.0Kg ABC Dry Chemical	300mm	525mm	200mm	1.0mm
6.0Kg ABC Dry Chemical	300mm	570mm	200mm	1.0mm
9.0Kg ABC Dry Chemical	300mm	670mm	200mm	1.0mm
2.0Kg Carbon Dioxide	300mm	670mm	200mm	1.0mm
5.0Kg Carbon Dioxide	350mm	800mm	250mm	1.0mm