

FULL PANEL HOSE REEL CABINET

GENERAL

"AE" range of surface wall mounted fire extinguisher cabinets are generally fabricated from electro-galvanised steel material. Aluminium or stainless steel materials are available upon request.

The door hinges are either riveted or welded to the cabinet and swings out 180 degree from left to right. The cabinet comes with viewing panel design at the door to show the equipment installed inside.

The quality of workmanship and finishes are carefully planned and executed from the initial stage of preparing the material, fabrication, upto the surface preparation and powder coating.

The standard finishes of the electro-galvanised steel and aluminium cabinets are "Red" epoxy/polyester powder coated and oven baked. Stainless steel Type 304 or 316 cabinets come with 4B quality. Other finishes available on request.

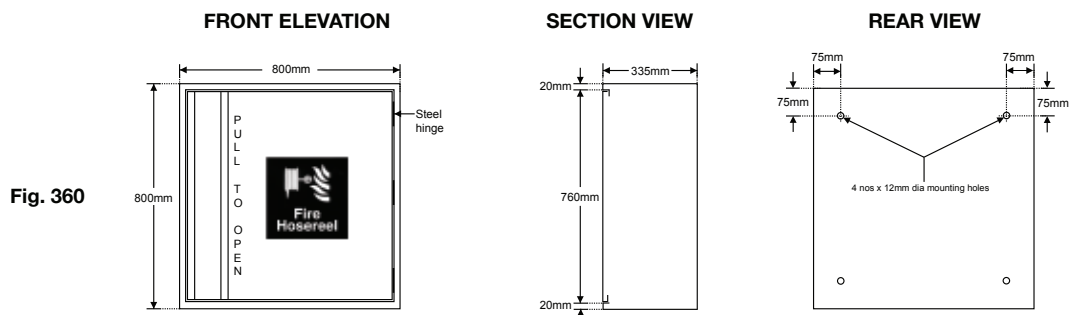
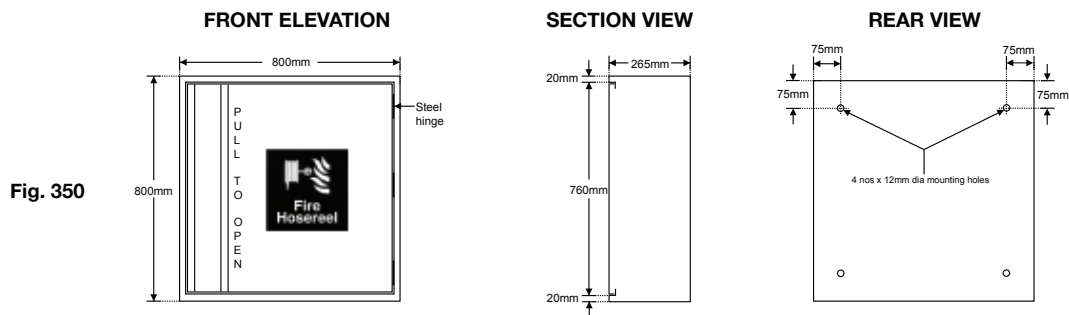
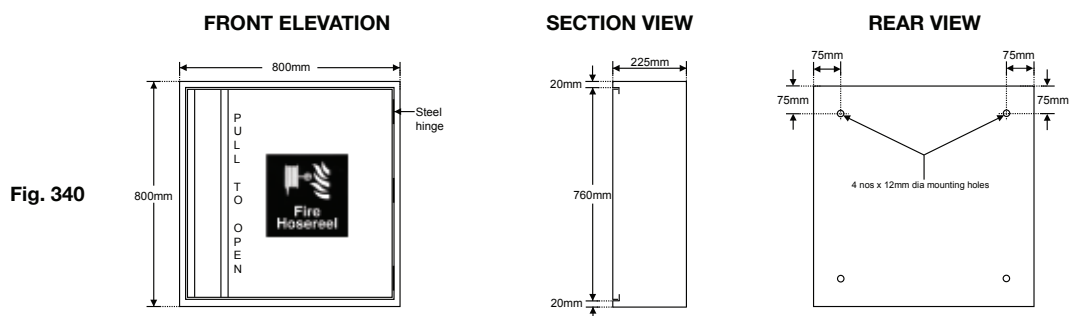
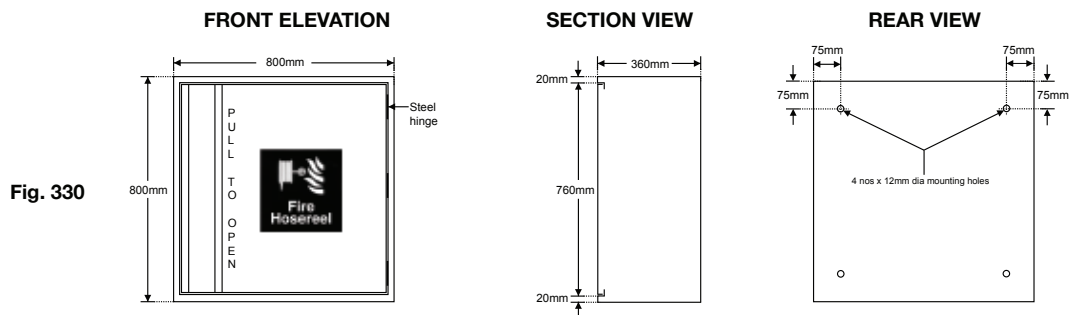


FEATURES

- Compact and elegant design.
- Quality finishes in epoxy/polyester powder coated and oven baked.
- Easy and fast installation with minimum labour required.



FULL PANEL HOSEREEL CABINET



Model	Fixed Type					Swing Type
	19mm x 20M	19mm x 25M	19mm x 30M	25mm x 25M	25mm x 30M	25mm x 30M
Fig. 330						✓
Fig. 340	✓					
Fig. 350		✓	✓			
Fig. 360				✓	✓	

Materials: Electro-galvanised steel. Aluminium or stainless steel materials are available upon request.
Finishes: "Red" Epoxy/Polyester powder coated.
Hinge: Heavy duty Type 304 stainless steel.

* All dimensions shown are in millimetres.

* Due to the improvement in the design and standard, we reserve the right to change the specifications without prior notice.