

FIXED TYPE FIRE HOSEREEL (Manual)

GENERAL

"AE" Model 50-N (19mm) and 55-N (25mm) fixed type, manual operated fire hosereel are manufactured within a strict quality controlled environment to ISO 9001 : 2000 and conformed to BS EN 671-1 specifications.

The elegant and compact design with minimum protrusion allow for easy installation and maintenance. The compact design greatly helps designers in deciding the appropriate size of the hosereel compartment, especially in areas where space constraints are critical.

Another unique feature in the hosereel design is the "slide-in" wall mounting bracket which is a separate strong and rigid galvanised steel bracket that is initially installed onto the concrete wall without the hosereel.

The complete hosereel is then "slide in" from the top and sits in a fitting and rigid position. The water supply piping is then connected to the inlet of the hosereel.

The materials that are used to manufacture the fire hosereel are of the highest quality such as the combination of high grade aluminium alloy and/or LG2 gunmetal waterway assembly all of which are corrosion resistant and of high impact strength. The fire reel discs are pressed steel of 1.2mm thickness and epoxy/polyester powder coated. The hub is made of deep drawn galvanised steel.

FEATURES

- Elegant and compact design.
- Robust construction.
- Easy and flexible installation.
- Reliable performance with minimum maintenance.

STANDARD ACCESSORIES

- 20, 25, 30 and 36 metre long, EN 694 hose.*
- Open/shut, 6mm and 8mm dia orifice, rotary operated, jet or spray/jet nozzle.*
- Brass stop valve or lever ball valve*
- Zinc plated hose clamps.
- Galvanised swing roller hose guide.

OPTIONAL


- 20 & 25 metre length hoses are also available.*
- Open/Shut, 6mm and 8mm dia orifice, rotary operated spray/jet nozzle.*

OPERATING & TEST PRESSURES

Working pressure: 12 bars (max)

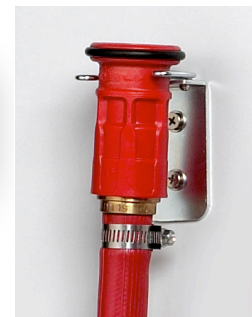
Test pressure: 18 bars

APPROVAL

-  BSI Kitemark KM551497
- **kiwa**
- **CE** 0620
- SETSCO Listed under PLS Class 1A (Singapore).
- SAI Global (for 19mm x 36m)



JET NOZZLE



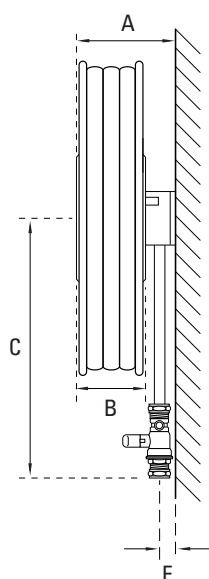
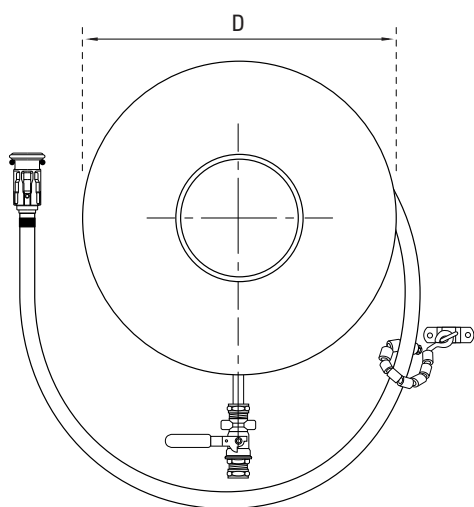
SPRAY / JET NOZZLE

- Maximum length of hose according to BS EN671-1 is 30 metres.

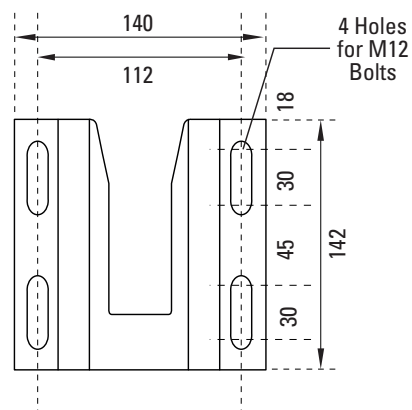
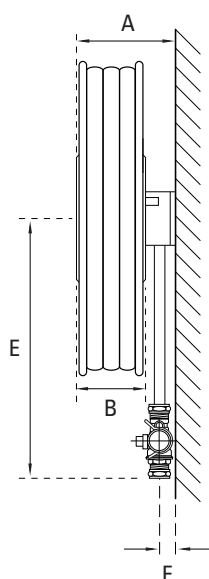
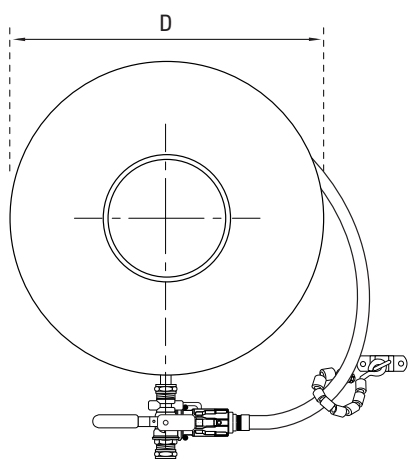
* As per buyer's requirement.

Note: The accessories for the Hosereel & conceptual design vary in different countries.

FIXED TYPE FIRE HOSEREEL (Manual)



WALL MOUNTING PLATE



Size x Length (mm x M)	A (mm)	B (mm)	C (mm)	D (mm)	E (mm)	F (mm)
19 x 20	162	94	398	560	385	35.5
19 x 25	177	153	398	560	385	35.5
19 x 30	200	172	398	560	385	35.5
19 x 36	253	183	398	560	395	35.5
25 x 20	219	155	399	560	399	33.5
25 x 25	236	169	399	560	399	33.5
25 x 30	270	207	399	560	399	33.5

PERFORMANCE DATA				
Hose size / Nozzle orifice (mm)	19/DN6		25/DN8	
	Jet	Spray	Jet	Spray
Flow type				
Throw Range (M)	10.3	9.4	11.2	7.9
Discharge Flowrate (L/min)	0.2MPa	28	28	45
	0.4MPa	38	42	67
	0.6MPa	46	47	76

* All dimensions shown are in millimetres.

* Due to the improvement in the design and standard, we reserve the right to change the specifications without prior notice.